

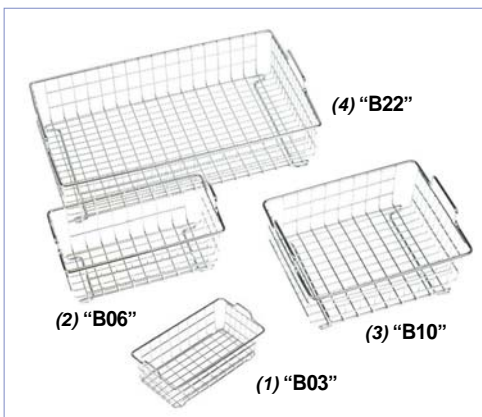
DAIHAN-brand® Digital Ultrasonic Cleaner-set, "WUC-D", Microprocessor Control, 3.3-/6-/10-/22- Lit. with Stainless steel Wire Basket & Flat Lid, Highly Effective Cleaning, up to 80°C, 0~60min, 40kHz Frequency
 디지털 초음파 세척기 세트, 와이어 바스켓 및 리드 포함, 마이크로프로세서 제어



Digital Ultrasonic Cleaner Set, "WUC - D10H" with Flat Lid and Wire Basket



Digital Ultrasonic Cleaner Set, "WUC - D03H" with Degassing Function, Flat Lid and Wire Basket



Stainless steel Wire Baskets (included)

- with Certificate & Traceability : Controlled by Serial Number, Certificate, Delivery-information, and Traceable Data Base System
- Useful for Cleaning to Remove Dirt, Grease, Waxes and Oil from all Lab Instruments by Ultrasonic Frequency
- Microprocessor Control : Timer, Temperature and Output Control
- CE Certified ■ PL(Product Liability) Insurance

- * Useful for Cleaning to Remove Dirt, Grease, Waxes and Oil from all Lab instruments by Ultrasonic Frequency
- * Microprocessor Control : Timer, Temperature and Output Control
- * Multi-Frequency Sonication Body
- * HF-Frequency : 40kHz
- * Temperature Range from Ambient to 80°C
- * Convenient Preset Function : Heating and Timer
- * Drain is mounted in the bottom (WUC-D10H, WUC-D22H)
- * Maximum 60 minutes of Cleaning Time
- * Degassing Function (only WUC-D03H model) : Very Strong Cleansing

Specification

Capacity & Models	3.3 Lit. "WUC - D03H"	6 Lit. "WUC - D06H"	10 Lit. "WUC - D10H"	22 Lit. "WUC - D22H"
Frequency	40kHz	40kHz	40kHz	40kHz
HF-peak out	100W	253W	407W	528W
Heat temp.	ambient to 80°C	ambient to 80°C	ambient to 80°C	ambient to 80°C
Heating Power	172W	172W	258W	344W
Timer	0~30 min.	0~60 min.	0~60 min.	0~60 min.
Display	FND			
Drain-valve	None	None	1/2" NPT	1/2" NPT
Tank Size inner (w×d×h) (mm)	240×140×100	290×150×150	290×240×150	500×300×150
Weight net	3.4 kg	5.8 kg	8 kg	12.9 kg
Packing Dimension (w×d×h) (mm)	320×200×290	360×220×350	440×320×360	640×380×370
Gross Weight	3.7 kg	6.3 kg	8.5 kg	13.4 kg
Power Consumption	290W	425W	665W	872W
Power Supply	1 Phase, AC 120 V, 60 Hz or AC 230 V, 50 / 60 Hz			

* Other Specifications are available upon Customer's Request.

Ordering Information

Digital Ultrasonic Cleaner, with Flat Lid & Wire Basket

	Ea. Price, ₩
DH.WUC.D03H Ultrasonic Cleaner, Digital, 230V, "WUC-D03H", 3.3 Lit.	518,520
DH.WUC.D06H "WUC-D06H", 6 Lit.	931,050
DH.WUC.D10H "WUC-D10H", 10 Lit.	1,199,650
DH.WUC.D22H "WUC-D22H", 22 Lit.	1,728,130
DH.WUC.D103H Ultrasonic Cleaner, Digital, 120V, "WUC-D03H", 3.3 Lit.	518,520
DH.WUC.D106H "WUC-D06H", 6 Lit.	931,050
DH.WUC.D110H "WUC-D10H", 10 Lit.	1,199,650
DH.WUC.D122H "WUC-D22H", 22 Lit.	1,728,130

Spare Wire Baskets, Stainless steel

	Ea. Price, ₩
DH.WUC.B03 (1) Basket, Wire, "B03", for 3.3 Lit., 215×115×h65mm	64,340
DH.WUC.B06 (2) "B06", for 6 Lit., 247×123×h96mm	75,070
DH.WUC.B10 (3) "B10", for 10 Lit., 262×206×h93mm	85,780
DH.WUC.B22 (4) "B22", for 22 Lit., 452×263×h93mm	107,230